



# D.

## Edges & Walls

# D.01

## Spade Edge

---

### *Function / Location*

- Edges are to be used to separate grassed areas from planted areas, and to provide a mowing edge.
- Spade Edge is to be used in areas where tree plantings sit in grassed areas, particularly in parks and reserves.

### *Supplier*

- Not Applicable.

### *Materials and Dimensions*

- Ensure the spade edging has a radius of 1,000mm around the tree trunk.
- Spade edge to have a maximum width of 150mm, and a maximum depth of 150mm.

### *Installation*

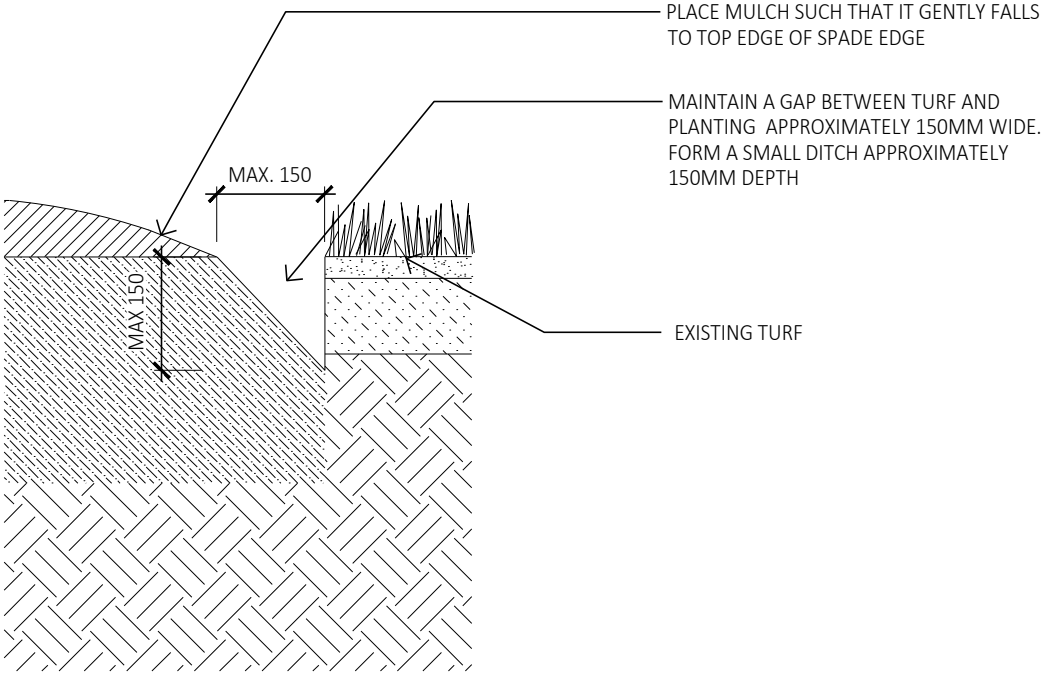
- Use a sharpened spade edge to form a small ditch with a maximum width of 150mm, and a maximum depth of 150mm.
- Spade edge to have a radius of 1,000mm around the tree trunk.
- Ensure that the finished level of the planting bed and turf are flush.
- Form the spade edge in smooth continuous curves, with no obvious flat spots or kinks when viewed along the line of curve.

### *Maintenance*

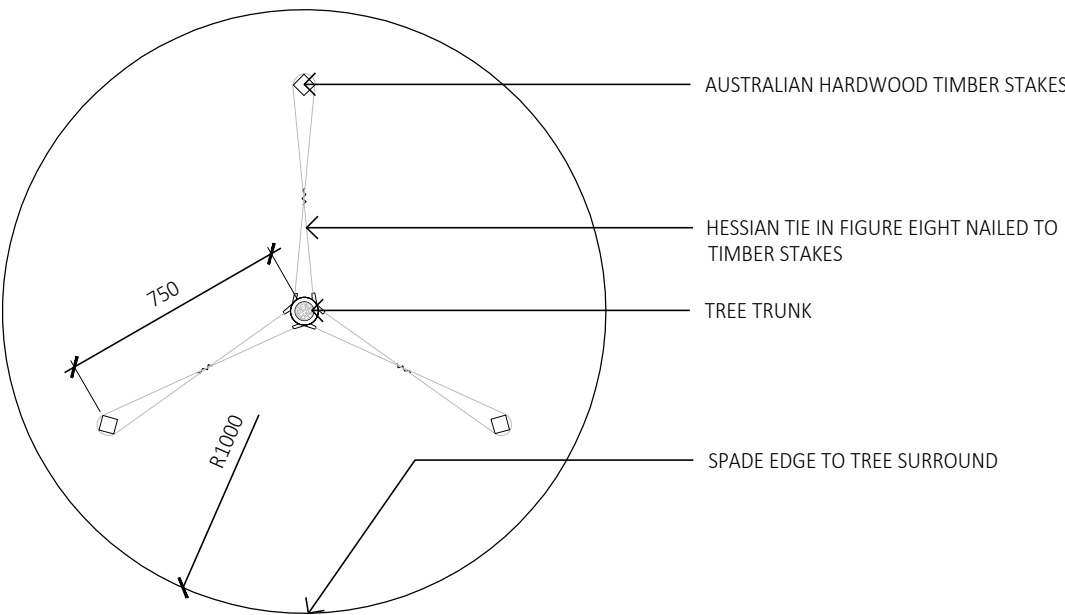
- Using a spade, trace around the existing spade edger cut into the turf, and in doing so, remove any encroaching turf rhizomes.
- Maintain turf edges every three months year round. During spring and in high growth periods, this should be increased to once per month.
- Keep water levels high, especially during the warmer months.
- If the lawn crumbles/dies back at the edges, cut out a 400x400mm section. Rotate it 180 degrees, placing the healthy section of lawn on the edge. Rake, topdress and reseed the damaged area. Keep the replaced turf well watered until it takes, especially during the warmer months.



Spade Edge



**D01** TYPICAL SPADE EDGE DETAIL  
Scale 1:10



**D02** TREE WITH SPADE EDGE - PLAN  
Scale 1:25

# D.02

## Recycled Plastic Edge

### *Function / Location*

- Edges are to be used to separate grassed areas from planted areas, and to provide a mowing edge.
- Recycled Plastic Edge is to be used in parks and reserves, as a surround to playground softfall zones, turf and garden beds.

### *Supplier*

- Contractor to nominate based on below specifications.

### *Materials and Dimensions*

- Recycled Plastic Edge Type A 200x20mm.
- Recycled Plastic Edge Type B 300x40mm.

### *Installation*

- Lay the edging in smooth continuous curves with no obvious flat spots or kinks when viewed along the line of the curve
- Ensure that the finished level of the turf is flush and a 25 mm strip depth below on the planting edge before transitioning to the finished level of planting
- Steel Stakes to be installed at 450-600mm centres and attached to edging with 2no M8 steel screws.
- Where joining of edging is required, ensure the two ends are mitre-joined, sit flush and that they are joined using a stainless steel sheet (100mm x100mm x 3mm), which overlaps the two edging pieces and is held in place with stainless steel screws. Ensure it sits at least 50mm below the top of edging.
- Ensure the edging lines are organic and flow with ease. Maximum bending radius for type A is 1500 mm. type B cannot be bent. Avoid joining edging in tight curve transitions.
- Ensure lengths of edging are kept to a minimum of 3m lengths unless unachievable.

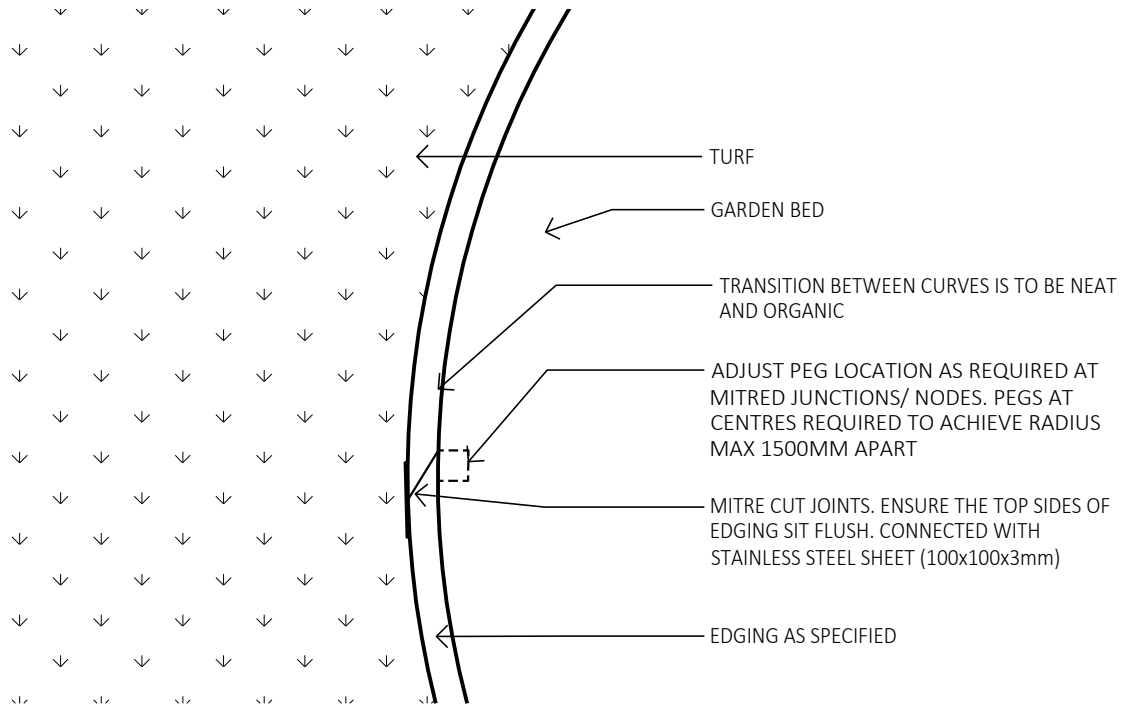
### *Maintenance*

- Nil to Low Maintenance

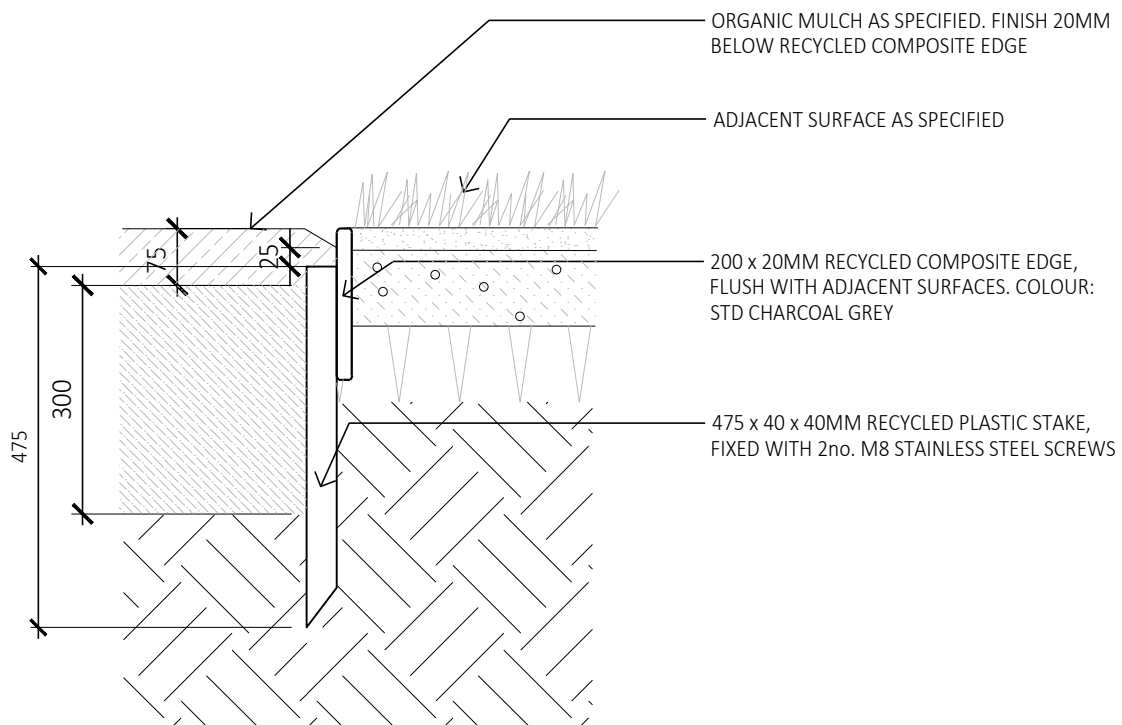


Recycled Plastic Edge

# Edges & Walls **Recycled Plastic Edge**

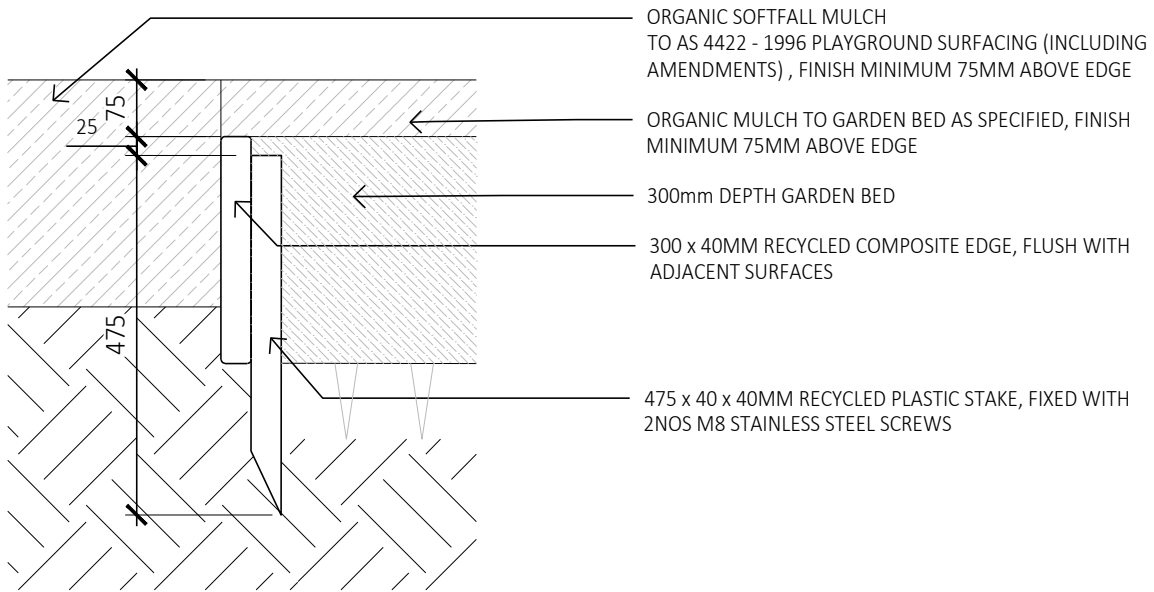


**D01** RECYCLED PLASTIC EDGE : PLAN  
Scale 1:10

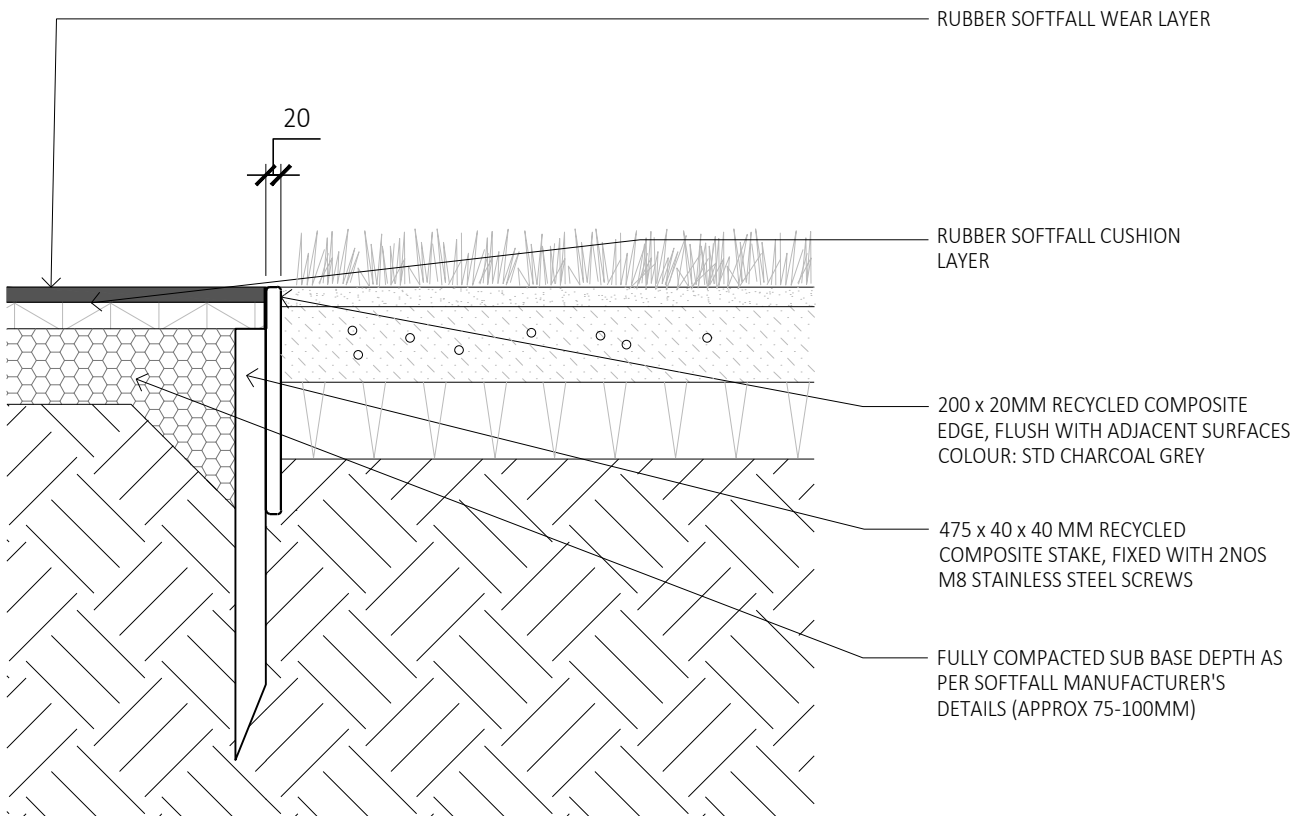


**D02** RECYCLED PLASTIC EDGE - DETAIL FOR TURF GARDEN BED INTERFACE  
Scale 1:10

# Recycled Plastic Edge Edges & Walls



**D01** RECYCLED PLASTIC EDGE - DETAIL FOR ORGANIC SOFTFALL MULCH AND ORGANIC MULCH INTERFACE  
Scale 1:10



**D02** RECYCLED PLASTIC EDGE - DETAIL FOR RUBBER SOFTFALL AND TURF INTERFACE  
Scale 1:10

This page is intentionally left blank

# D.03

## Steel Edge

---

### *Function / Location*

- Steel edges are to be used to separate planted or turf areas from other surfaces to maintain a clean edge.
- Steel edge is to be used where a high-end finish is required.

### *Supplier*

- Contractor to nominate based on below specifications.

### *Materials and Dimensions*

- 304 Stainless Steel - 150mm x 6mm thick
- 304 Stainless Steel - 250mm long x 10mm diameter round anchor bars
- 304 Stainless Steel unequal angles - 125mm x 75mm x 6mm thick to be used for straight runs

### *Installation*

- Position steel edging vertically in ground with top edge flush with finished levels.
- Lay the edging in smooth continuous curves with no obvious flat spots or kinks when viewed along the line of the curve.
- Use unequal angles for straight runs to get a firm rigid edge.
- Ensure that joins occur in straight sections of edging. Allow 200 mm overlaps between strips.
- Anchor bars at minimum 500mm centres
- Increase thickness to 10mm if used as an edge to wetpour rubber softfall.

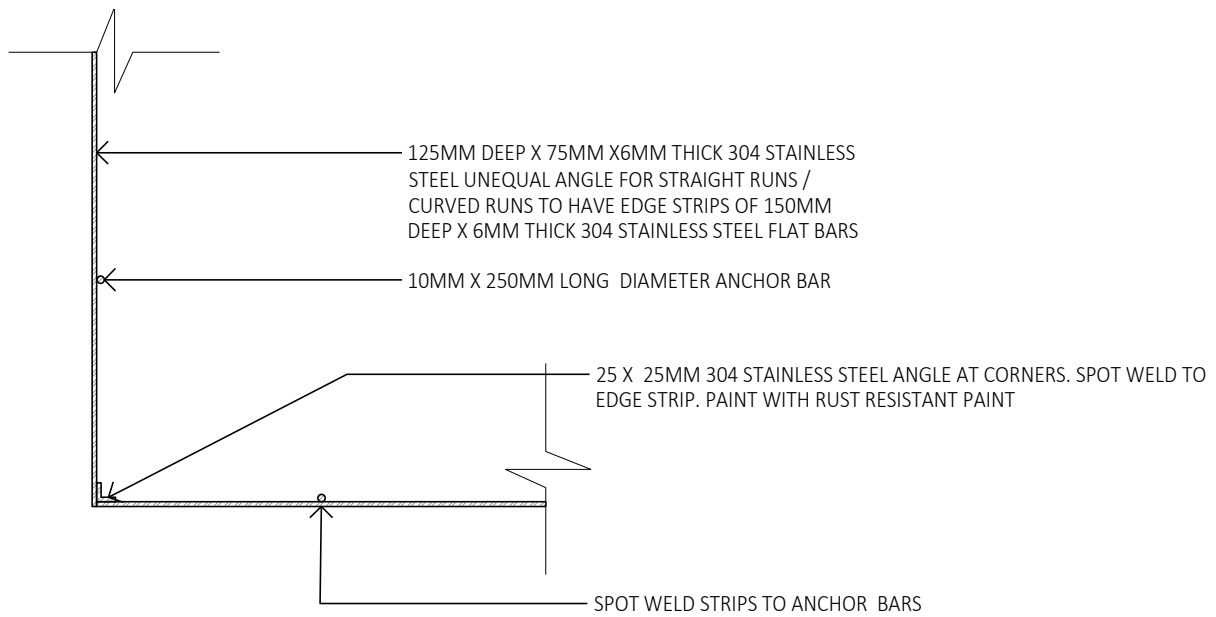
### *Maintenance*

- Nil to Low Maintenance

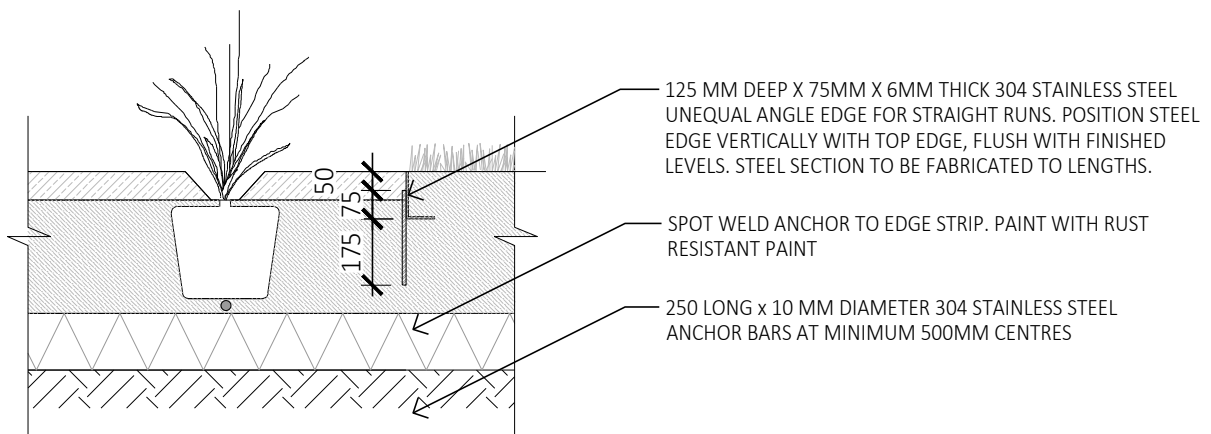


Steel Edge

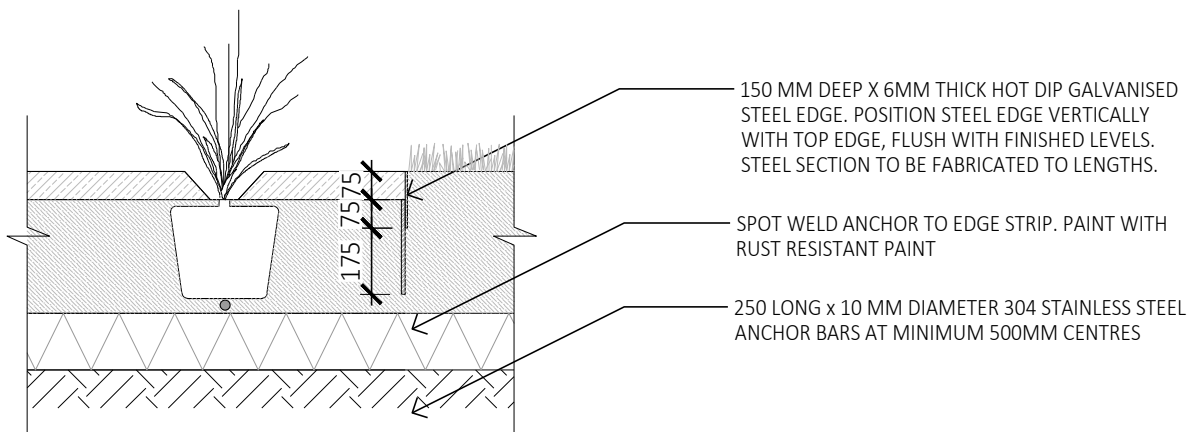




**D01** STEEL EDGE : TYPICAL CORNER PLAN  
Scale 1:10



**D02** STEEL EDGE - STRAIGHT : DETAIL  
Scale 1:20



**D03** STEEL EDGE - CURVED : DETAIL  
Scale 1:20

# D.04

## Concrete Edge

---

### *Function / Location*

- Concrete edges are to be used to separate planted or turf areas from other surfaces to maintain a clean edge.
- Concrete edge is to be used where a low maintenance durable edge is required in high pedestrian-traffic areas.

### *Supplier*

- Contractor to nominate based on below specifications.

### *Materials and Dimensions*

- Standard to AS 1379 - Grade N20
- 150 mm x 200 mm with 10mm chamfers to exposed edges
- Where adjacent to wetpour rubber softfall, edges to be squared with max 5 mm pencil round status. Concrete to be rebated 30mmx30mm to secure and protect rubber edge.

### *Installation*

- Place in a shallow trench between timber forms. Wood float finish flush with the adjacent finished grass level.
- Provide control joints, filled with resilient bituminous material, at 3 m maximum centres.

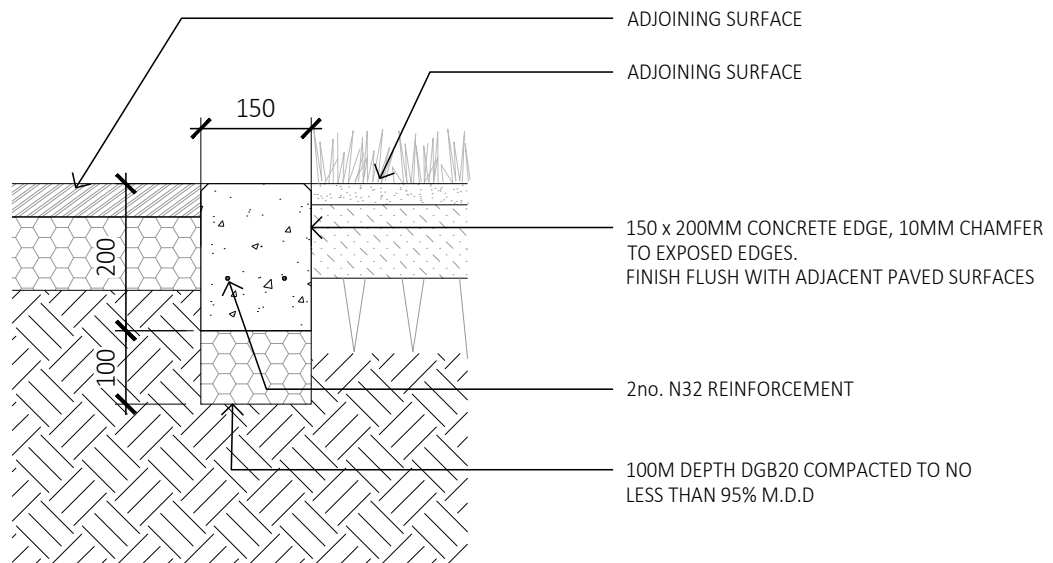
### *Maintenance*

- Nil to Low Maintenance

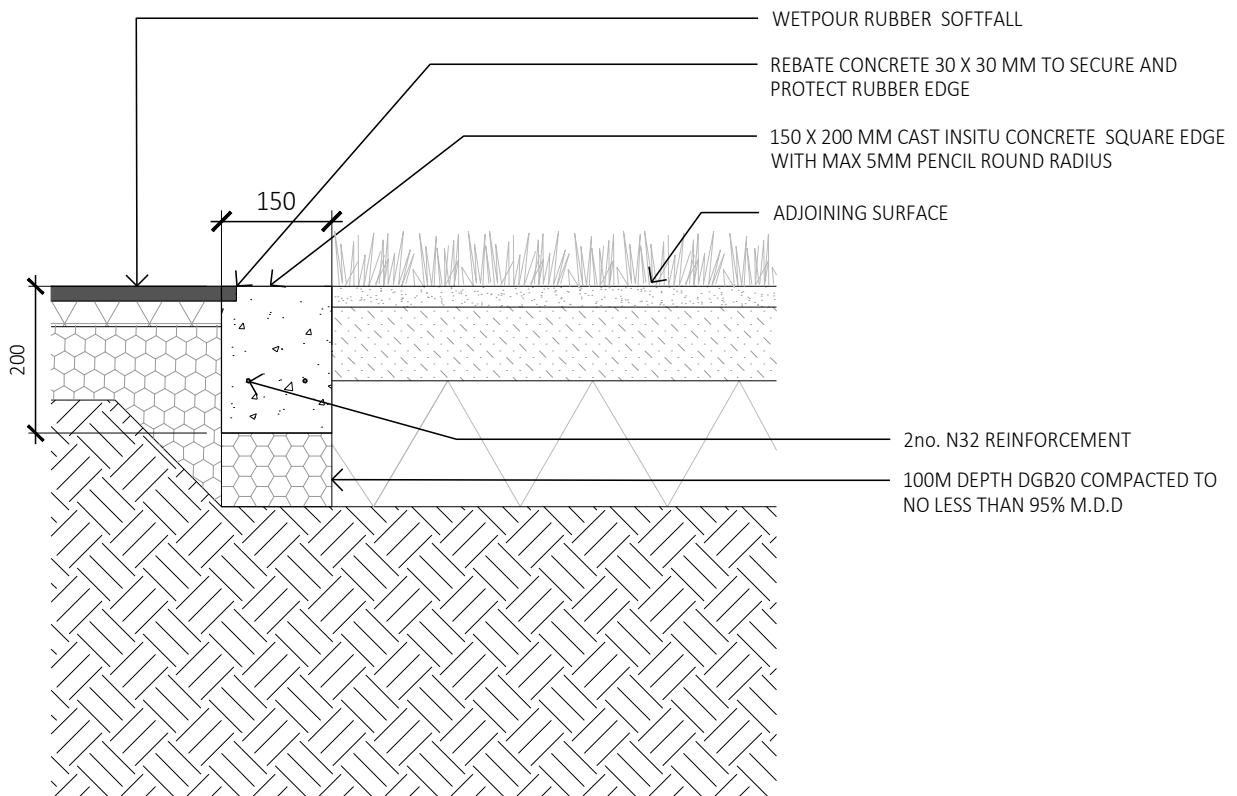


Concrete Edge

# Edges & Walls **Concrete Edge**



**D01** CONCRETE EDGE 150 MM WIDE : DETAIL  
Scale 1:10



**D02** CONCRETE EDGE 150 MM WIDE : DETAIL FOR TURF/  
ADJOINING SURFACE & RUBBER SOFTFALL INTERFACE  
Scale 1:10

# D.05

## Sandstone Edge

---

### Function

- Sandstone Edging - to be used as feature edging, to retain soil for heights of 300mm minimum to 600 mm maximum
- Slabs may be used to prevent vehicle access into parks

### Supplier

- Contractor to nominate based on below specifications.

### Materials and Dimensions

- Appin Sandstone slabs
- Width - 200mm, Height - 450mm to 750mm, Length - 500 to 1000 mm max
- Split Face Finish to top and exposed edges

### Installation

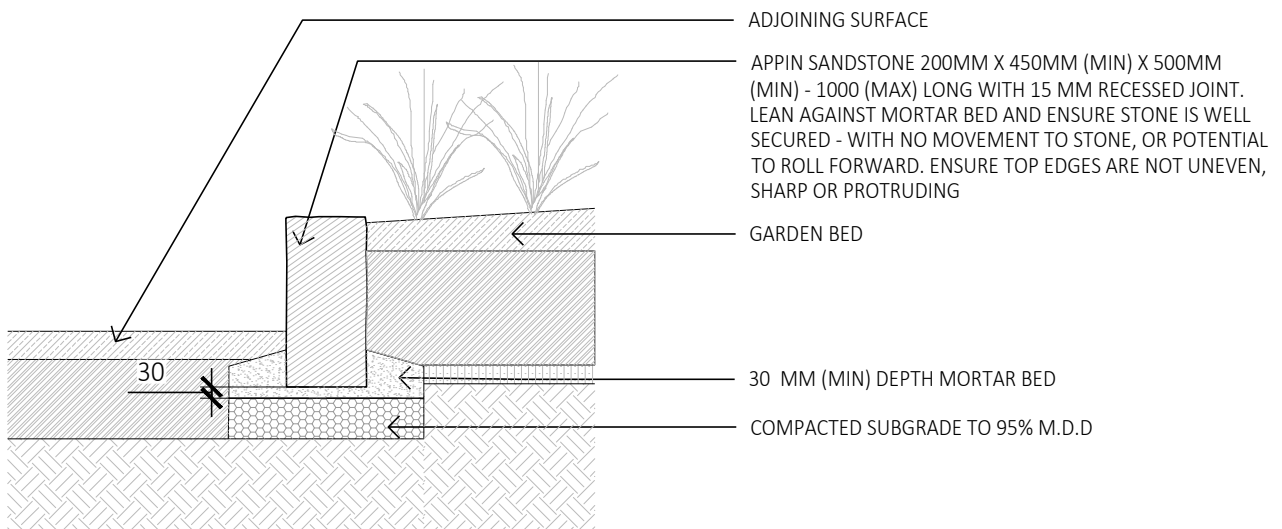
- Sandstone: Select stones and allow to reshape to ensure top faces are level and free of protrusions greater than 10mm and exposed edges are no sharper than 90 degrees. Confirm setout with Council's project manager prior to fixing stones in place.
- Compacted Subgrade: Remove deleterious and loose material and the like and leave the surface clean and dust-free. Moisten and thoroughly plate compact to 95% MDD.
- Bedding Mortar: Elect proportions from the range of 1 cement: 3 sand to obtain satisfactory adhesion. Provide minimum water. Mixing: to AS 3958.1. Gauging: site gauged by volume.

### Maintenance

- under review



Sandstone Edge Example



**D01** SANDSTONE EDGE - RETAINING - DETAIL  
Scale 1:20

# D.06

## Walls

---

*under review*

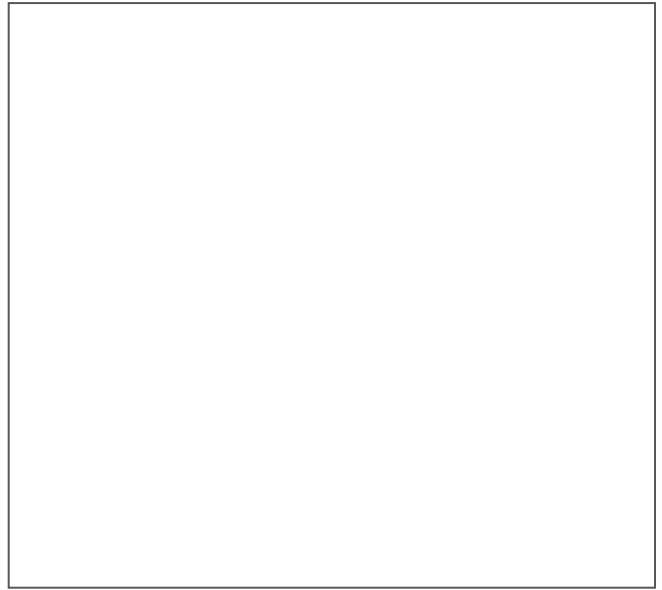


Image to be provided



