



F.

Handrails

F.01

Wall-Mounted

Function

- Stainless steel wall mounted handrail is to be used on stairs, walkways, and ramps adjacent to a wall.
- Handrails are to be provided on both sides of the stair, walkway or ramp; to provide a safe and convenient pedestrian access over level changes.
- All handrails shall meet requirements as set out in AS 1428.

Supplier

Contractor to nominate based on below specifications.

Materials and Dimensions

- 316 Marine Grade Stainless Steel, 2B raw material with preliminary 320 grit polish, and final finish mirror electropolish.

Installation

- Refer to manufacturers instructions.
- Surface mounted to wall with Stainless Steel fixings.

Maintenance

- Clean as needed using a soft cloth or brush with a mild detergent. Avoid steam cleaning, abrasive cleansers, carbon steel brushes/wools and cleaners containing chlorine. Stainless steel cleaners may be used on stainless furniture to remove stubborn stains. A natural patina of minor scratches will always occur on highly polished surfaces. However, should minor repolishing be required, use metal polishing liquids.
- Deeper scratches and damage can sometimes be ground out and repolished, but this should be done professionally.
- Check for loose fittings and tighten/replace every 6 months.



Stainless Steel Handrail - Wall Mounted



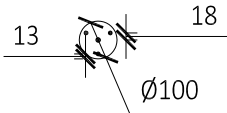
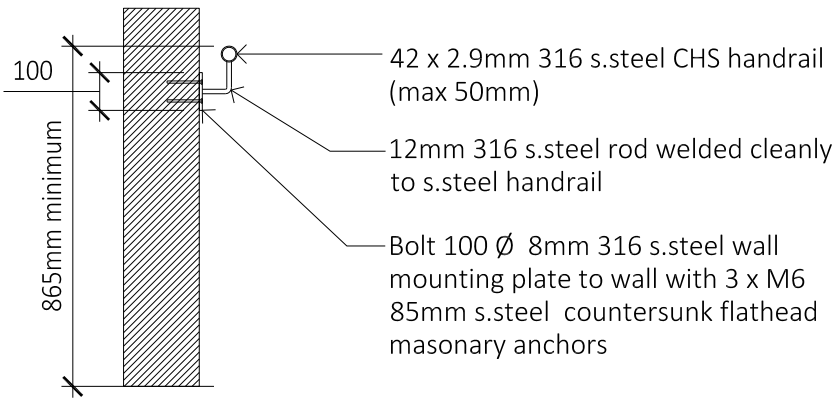


Plate Elevation 1:5
8mm X 100mm Ø 316 s.steel plate.
3 X M6 s.steel chemical anchors



F.02

Free Standing

Function

- Stainless Steel Handrail - Free Standing is to be used on stairs, walkways and ramps where a simple handrail is required and where there is no transition to a balustrade.
- Handrails are to be provided on both sides of the stair, walkway or ramp.
- Handrails are to provide safe and convenient pedestrian access over level changes and meet requirements set out in AS 1428.

Supplier

Contractor to nominate based on below specifications.

Materials and Dimensions

316 Marine Grade Stainless Steel, 2B raw material with preliminary 320 grit polish, and final finish mirror electropolish.

Installation

Sub-surface or surface mounted posts

Maintenance

- Clean as needed using a soft cloth or brush with a mild detergent. Avoid steam cleaning, abrasive cleansers, carbon steel brushes/wools and cleaners containing chlorine. Stainless steel cleaners may be used on stainless furniture to remove stubborn stains. A natural patina of minor scratches will always occur on highly polished surfaces. However, should minor repolishing be required, use metal polishing liquids.
- Deeper scratches and damage can sometimes be ground out and repolished, but this should be done professionally.

Stainless Steel Handrails - Free Standing



This page is intentionally left blank

F.03

Tapered Post

Function

- Stainless Steel Handrail with Tapered Post is to be used on stairs, walkways and ramps where the handrail is used in conjunction with the horizontal or vertical balustrade or transitions to the horizontal or vertical balustrade.
- Handrails are to be provided on both sides of the stair, walkway or ramp.
- Handrails are to provide safe and convenient pedestrian access over level changes and meet requirements set out in AS 1428.

Supplier

Contractor to Organise

Materials and Dimensions

316 Marine Grade Stainless Steel, 2B raw material with preliminary 320 grit polish, and final finish mirror electropolish.

Installation

Based on details of Steel Fences. Refer Fences and Barriers - Steel Fences for more details

Maintenance

- Clean as needed using a soft cloth or brush with a mild detergent. Avoid steam cleaning, abrasive cleansers, carbon steel brushes/wools and cleaners containing chlorine. Stainless steel cleaners may be used on stainless furniture to remove stubborn stains. A natural patina of minor scratches will always occur on highly polished surfaces. However, should minor repolishing be required, use metal polishing liquids.
- Deeper scratches and damage can sometimes be ground out and repolished, but this should be done professionally.
- Check for loose fittings and tighten/replace every 6 months.



Stainless Steel Handrail with tapered Post - Image is for representational purposes only. For exact railing please refer Steel Fences

Balustrades

- Balustrades are required to protect people from falling where there is a level change of 1m or more between adjoining floor or finished ground levels such as on a stair, ramp or a path; unbound by a wall.
- Balustrades may be used in conjunction with handrails.
- Balustrades must be 1m high above the ground level or 865mm above the ground level of a landing to a stair or ramp. A transition zone may be incorporated where the balustrade or barrier height changes from 865mm on the stair flight or ramp to 1m at the landing.
- Openings in balustrades must not permit a 125mm sphere to pass through.
- Horizontal balustrades may be used when there is a level change less than 4m.
- Balustrades must be designed to applicable Australian Standards and the National construction Code (NCC)
- Refer to Fences and Barriers for further details.

Handrails Tapered Post

